

SupIR 45-900mm f/4.0*, Motorized Continuous Zoom 680425 / 680426



**HD
FORMAT**

WFOV(45mm)
for configurations 680425-009/8
& 680426-007/8

HFOV	640x512
15μ	11.4°
10μ	-

WFOV(72mm)
for configurations 680425-007/6
& 680426-005/6

HFOV	640x512	1280X1024
15μ	7.3°	
10μ	-	9.3°

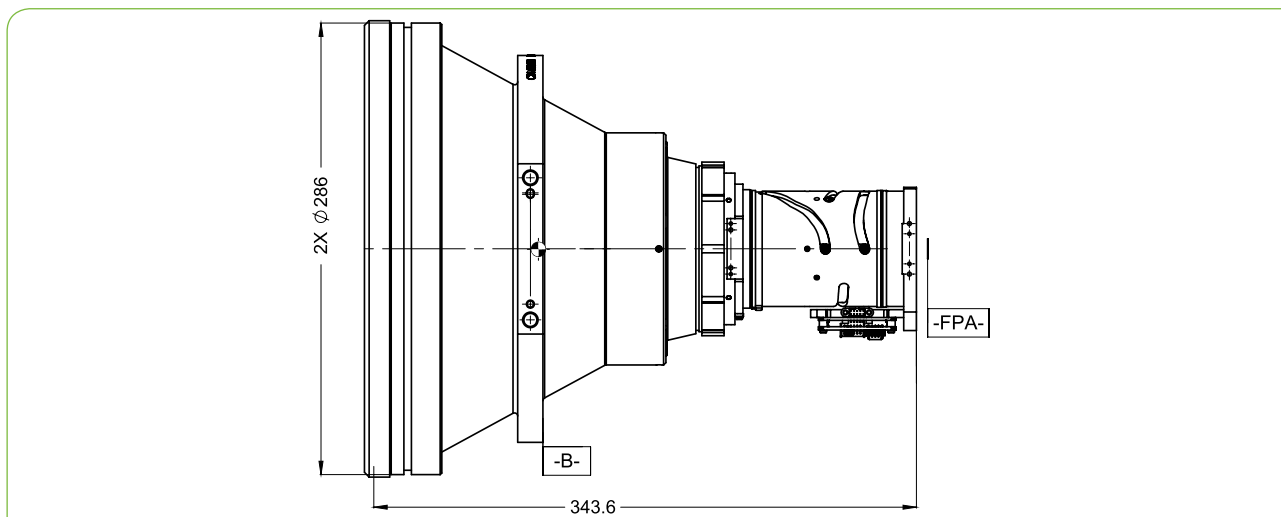
NFOV(900mm)
all configurations

HFOV	640x512	1280X1024
15μ	0.6°	
10μ	-	0.8°

Property	Value	
Optical	WFOV	NFOV
Focal Length	45mm/72mm**	900mm
F/#	4.0	
Average transmission (3.4-5μm)	89% (HD) / 87% (LRHC)	
680425	Based on Zoom Lens:	15-300mm f/4 680084
	Cold stop to FPA Distance	19.4mm
	Cold Stop CA	Ø4.85mm
	BFL	23.3mm in air
680426	Based on Zoom Lens:	15-300mm f/4 680204
	Cold stop to FPA Distance	20.5mm
	Cold Stop CA	Ø5.1mm
	BFL	26.2mm in air
Minimum Focus Range	5m	200m
Nuc (by defocus)	Yes	
Mechanical		
Focus Mechanism	Motorized	
Focus Time (minimum range to ∞)	≤1 sec.	
Zoom Mechanism	Motorized	
Zoom Time (NFOV to WFOV)	≤7 sec. at -32°C; ≤5 sec. at T ≥ 0°C	
Through-zoom boresight	Within a radius of 0.22 mm at the focal plane along the full zoom range	
Weight	7kg	
Max. Dimensions	Ø286 x 343.6mm	

* For 10μm SXGA detectors, the EFL is 72-900mm. See product configuration 680425-007/6 & 680426-005/6.

** For configurations 680425-007/6 & 680426-005/6



MWIR | ZOOM

Property		Value				
Electrical						
Lens Control		Designated lens controller				
Supply Voltage		12V				
Current Consumption		0.5A average, 1.0A peak				
Communication Protocol		RS422				
Environmental						
Operation Temperature		-32°C to +75°C				
Storage Temperature		-54°C to +85°C				
Sealing		IP 67 front element only				
Configurations	Description	FPA	Pixel Pitch	CSH	Coating	
680425-008	45-900mm	640x512	15μ	19.4mm	Low Reflection Hard Carbon**	
680425-009					High Durability	
680425-006					Low Reflection Hard Carbon**	
680425-007	72-900mm	1280x1024	10μ		High Durability	
680425-010					Hard Carbon Hydrophobic	
680425-011					High Durability Hydrophobic	
680426-005	72-900mm	1280x1024	10μ	20.5mm	Low Reflection Hard Carbon**	
680426-006					High Durability	
680426-007					Low Reflection Hard Carbon**	
680426-008	45-900mm	640x512	15μ		High Durability	
680426-009					High Durability Hydrophobic	
680426-010					72-900mm	1280x1024

* NOTE: The ICD drawing provided here is primarily a representation and may not accurately reflect the product's actual dimensions and specifications. For precise integration specifications contact your local sales representative.

** For detailed LRHC coating specifications see page 13